

---

# U-Shape Acrylic Screens

**Low Profile Bracket**



Trendway >

Easily convert your open plan office to a more secluded environment with Trendway's new acrylic screens. There are many options to choose from to quickly retrofit your space when it's time to get your team back to the office - safely.

**U-Shape Screens | Low Profile Bracket | Adhesive Mount**

For a cleaner look, select the low-profile bracket design that has an optional 4" access slot for paper. These U-shaped screens mount with adhesive on the work surface for quick retrofits. Available in heights of 24" or 30", depths of 24" or 30" and widths from 36" to 72", quickly retrofit your work space for safety and security.



full screen



4" access slot option

## U-Shape Screen | Low Profile Bracket | Adhesive Mount

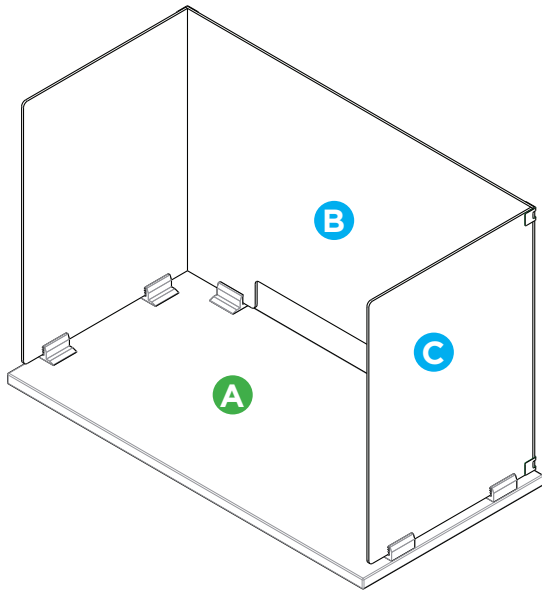
Dimensions			Insert Material		Catalog #
Width	Depth	Height	Clear Acrylic	Frosted Acrylic	
36"	24"	24"	\$775	\$920	SCNTDMU362424
42"			\$780	\$925	SCNTDMU422424
48"			\$785	\$930	SCNTDMU482424
54"			\$801	\$1,175	SCNTDMU542424
60"			\$810	\$1,180	SCNTDMU602424
66"			\$960	\$1,185	SCNTDMU662424
72"			\$970	\$1,190	SCNTDMU722424
36"	30"	24"	\$775	\$995	SCNTDMU363024
42"			\$780	\$1,000	SCNTDMU423024
48"			\$785	\$1,005	SCNTDMU483024
54"			\$801	\$1,251	SCNTDMU543024
60"			\$810	\$1,255	SCNTDMU603024
66"			\$960	\$1,260	SCNTDMU663024
72"			\$970	\$1,265	SCNTDMU723024
36"	24"	30"	\$775	\$1,075	SCNTDMU362430
42"			\$780	\$1,080	SCNTDMU422430
48"			\$785	\$1,085	SCNTDMU482430
54"			\$854	\$1,710	SCNTDMU542430
60"			\$865	\$1,715	SCNTDMU602430
66"			\$960	\$1,720	SCNTDMU662430
72"			\$970	\$1,725	SCNTDMU722430
36"	30"	30"	\$828	\$1,380	SCNTDMU363030
42"			\$835	\$1,385	SCNTDMU423030
48"			\$840	\$1,390	SCNTDMU483030
54"			\$907	\$2,020	SCNTDMU543030
60"			\$915	\$2,025	SCNTDMU603030
66"			\$1,012	\$2,030	SCNTDMU663030
72"			\$1,025	\$2,035	SCNTDMU723030



Available:

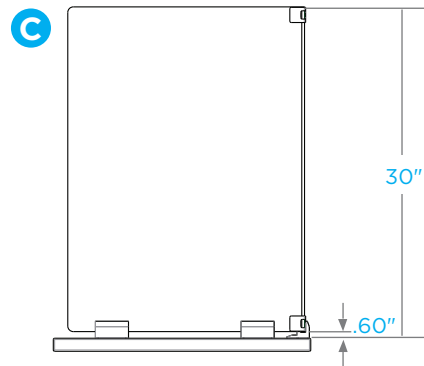
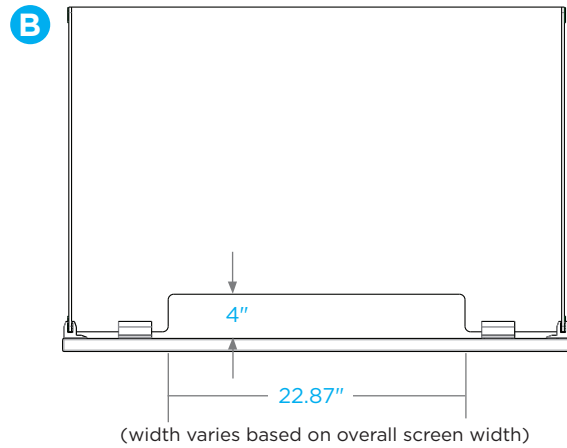
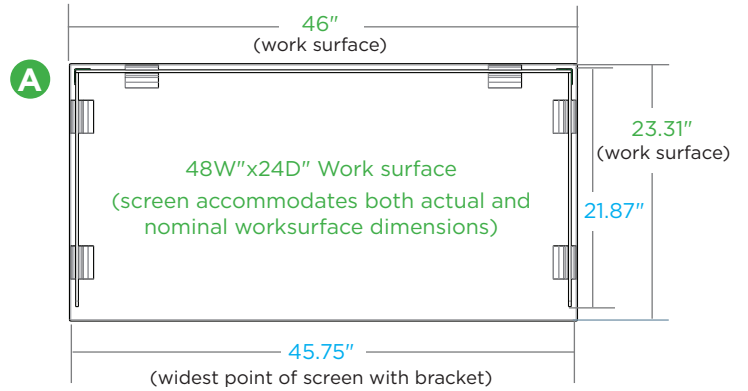
- With or without 4" access slot
- Clear or Frosted acrylic
- Standard or Premium (+\$12) color bracket paint finishes

## Acrylic Screen Dimensions | Low Profile Bracket



Model SCNTDMU482430  
48"Wx24"Dx30"H

Work surface needs to be a minimum of  
45.75"W x 21.87"D to fit this screen model.



## Cleaning Instructions for Acrylic Screen

---

**First time setup:** Do not attempt to clean immediately after removing the protective paper because the static electricity will attract dust and particles. Wait a day for the static to dissipate before cleaning.

### Step 1

Begin by removing excess dust or dirt from the surface of the acrylic with an air hose or blow dryer set to its coolest setting (never heat acrylic). Hold the blow dryer at a 45-degree angle several inches away from the acrylic and run side-to-side down the surface. Wipe any remaining dust with a soft, lint-free cotton microfiber cloth.

### Step 2

Once excess grime has been blown away, spray a nonabrasive acrylic cleaner, such as Brillianize or Novus No. 1 onto a one- or two-foot-square section of acrylic. (For an on-hand alternative, a solution of mild dish soap and water works well too.). Never use abrasive cleaners or anything containing Ammonia such as Formula 409®, Windex® or Fantastik®. Ammonia will cause your acrylic to get cloudy and you can't reverse the effects. Bleach solutions and disinfectants are not recommended and can cause damage to the acrylic.

Once the cleaner has been applied, use a soft, lint-free cotton microfiber cloth to gently wipe the surface down, again being careful to make contact only with the portion of the surface that already has cleaner on it. Continue applying the cleaner and wiping it off in small sections until you've finished the entire surface. Do not use a paper towel to clean acrylic because it can cause scratching.

Trendway >

**Fellowes** | FAMILY BUSINESS  
Brands. SINCE 1917

TRENDWAY HEADQUARTERS | Holland, Michigan

CHICAGO | LOS ANGELES | WASHINGTON, DC

Trendway.com | May 2020