

---

# U-Shape Acrylic Screens

**Post Style Bracket**



Trendway >

Easily convert your open plan office to a more secluded environment with Trendway's new acrylic screens. There are many options to choose from to quickly retrofit your space when it's time to get your team back to the office - safely.

### U-Shape Screens | Post Style Bracket | Adhesive or Screw Mount

With a U-shape design for more complete coverage, these can be screw or adhesive mounted onto the work surface. Available in heights from 24" to 36", Depths of 24" or 30" and widths from 36" to 72", these screens easily retrofit most office layouts. Choose from frosted or clear for the right level of privacy. Optional 2" raised gap for wire management or 4" access slot can also be selected.



full screen



2" gap option for wire management



4" access slot option



4" access slot option

## U-Shape Screen | Post Style Bracket | Adhesive or Screw Mount

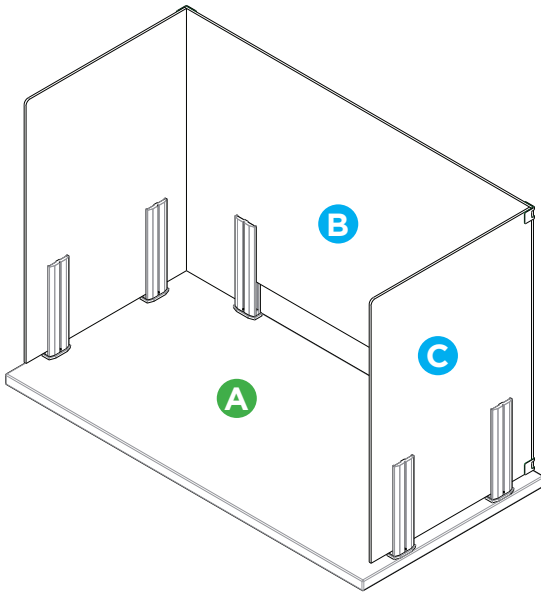
Dimensions			Insert Material		Catalog #
Width	Depth	Height	Clear Acrylic	Frosted Acrylic	
36"	24"	24"	\$1,280	\$1,425	SCNSMPU362424
42"			\$1,285	\$1,430	SCNSMPU422424
48"			\$1,290	\$1,435	SCNSMPU482424
54"			\$1,305	\$1,679	SCNSMPU542424
60"			\$1,315	\$1,685	SCNSMPU602424
66"			\$1,465	\$1,690	SCNSMPU662424
72"			\$1,475	\$1,695	SCNSMPU722424
36"	30"	24"	\$1,280	\$1,500	SCNSMPU363024
42"			\$1,285	\$1,505	SCNSMPU423024
48"			\$1,290	\$1,510	SCNSMPU483024
54"			\$1,305	\$1,755	SCNSMPU543024
60"			\$1,315	\$1,760	SCNSMPU603024
66"			\$1,465	\$1,765	SCNSMPU663024
72"			\$1,475	\$1,770	SCNSMPU723024
36"	24"	30"	\$1,280	\$1,580	SCNSMPU362430
42"			\$1,285	\$1,585	SCNSMPU422430
48"			\$1,290	\$1,590	SCNSMPU482430
54"			\$1,358	\$2,215	SCNSMPU542430
60"			\$1,370	\$2,220	SCNSMPU602430
66"			\$1,465	\$2,225	SCNSMPU662430
72"			\$1,475	\$2,230	SCNSMPU722430
36"	30"	30"	\$1,332	\$1,885	SCNSMPU363030
42"			\$1,340	\$1,890	SCNSMPU423030
48"			\$1,350	\$1,895	SCNSMPU483030
54"			\$1,412	\$2,525	SCNSMPU543030
60"			\$1,425	\$2,530	SCNSMPU603030
66"			\$1,518	\$2,535	SCNSMPU663030
72"			\$1,530	\$2,540	SCNSMPU723030
36"	24"	36"	\$1,598	\$1,883	SCNSMPU362436
42"			\$1,605	\$1,890	SCNSMPU422436
48"			\$1,610	\$1,895	SCNSMPU482436
54"			\$1,622	\$2,370	SCNSMPU542436
60"			\$1,635	\$2,375	SCNSMPU602436
66"			\$1,938	\$2,380	SCNSMPU662436
72"			\$1,950	\$2,385	SCNSMPU722436
36"	30"	36"	\$1,598	\$2,037	SCNSMPU363036
42"			\$1,605	\$2,040	SCNSMPU423036
48"			\$1,610	\$2,045	SCNSMPU483036
54"			\$1,622	\$2,525	SCNSMPU543036
60"			\$1,635	\$2,530	SCNSMPU603036
66"			\$1,938	\$2,535	SCNSMPU663036
72"			\$1,950	\$2,540	SCNSMPU723036



Available:

- Full screen, 2" gap for wire management, or 4" access slot
- Clear or Frosted acrylic
- Standard or Premium (+\$12) color bracket paint finishes

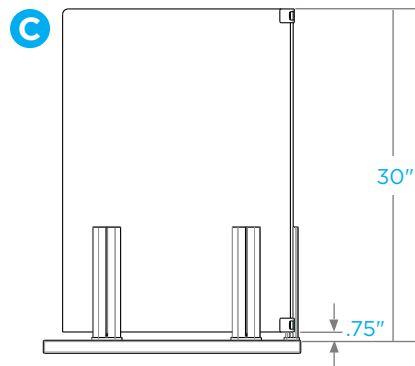
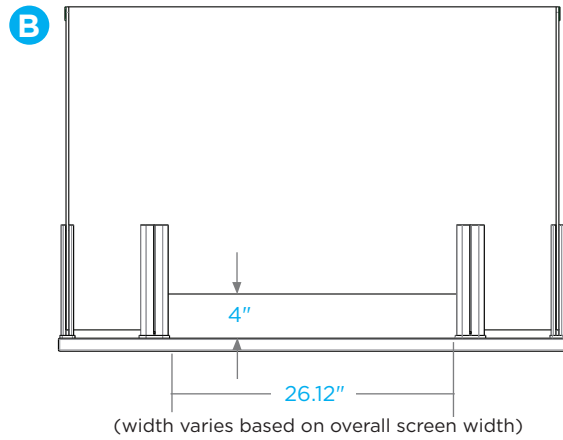
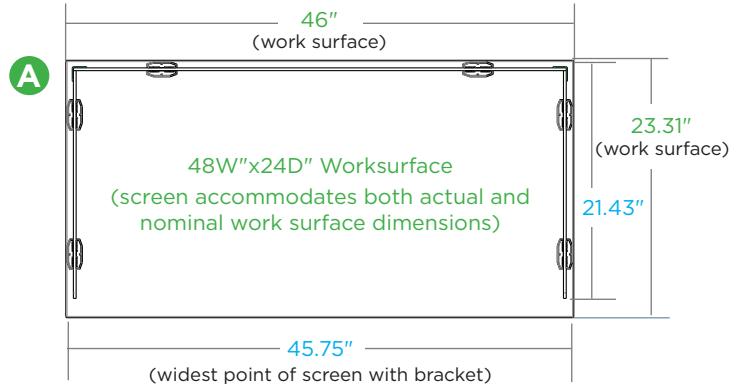
# Acrylic Screen Dimensions | Post Style Bracket



Model SCNSMPU482430  
48"Wx24"Dx30"H

Work surface needs to be a minimum of  
45.75"W x 21.43"D to fit this screen model.

All screen dimensions are identical between  
adhesive and screw mounting methods.



## Cleaning Instructions for Acrylic Screen

---

**First time setup:** Do not attempt to clean immediately after removing the protective paper because the static electricity will attract dust and particles. Wait a day for the static to dissipate before cleaning.

### Step 1

Begin by removing excess dust or dirt from the surface of the acrylic with an air hose or blow dryer set to its coolest setting (never heat acrylic). Hold the blow dryer at a 45-degree angle several inches away from the acrylic and run side-to-side down the surface. Wipe any remaining dust with a soft, lint-free cotton microfiber cloth.

### Step 2

Once excess grime has been blown away, spray a nonabrasive acrylic cleaner, such as Brillianize or Novus No. 1 onto a one- or two-foot-square section of acrylic. (For an on-hand alternative, a solution of mild dish soap and water works well too.). Never use abrasive cleaners or anything containing Ammonia such as Formula 409®, Windex® or Fantastik®. Ammonia will cause your acrylic to get cloudy and you can't reverse the effects. Bleach solutions and disinfectants are not recommended and can cause damage to the acrylic.

Once the cleaner has been applied, use a soft, lint-free cotton microfiber cloth to gently wipe the surface down, again being careful to make contact only with the portion of the surface that already has cleaner on it. Continue applying the cleaner and wiping it off in small sections until you've finished the entire surface. Do not use a paper towel to clean acrylic because it can cause scratching.

Trendway >

**Fellowes** | FAMILY BUSINESS  
Brands. SINCE 1917

TRENDWAY HEADQUARTERS | Holland, Michigan

CHICAGO | LOS ANGELES | WASHINGTON, DC

Trendway.com | May 2020